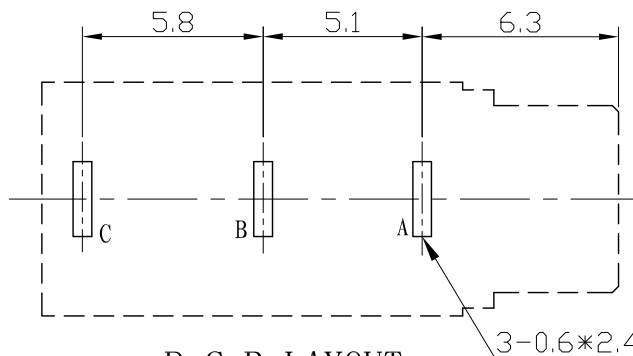


MATING PLUG



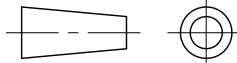
P. C. B LAYOUT



KWAN DA INDUSTRIAL CO., LTD.

TITLE : PHONE JACK

MODEL : ST-216-N (W162)



UNIT : MM	DWN.	张艳	DATE	2013-05-09	
SCALE : 4: 1	CHK'D	刘厚俊	DATE	2013-05-09	
VERSION	01	APPD.	周丽琼	DATE	2013-05-09

TOLERANCE
 <=1.5mm ± 0.1mm
 > 1.5mm ± 0.2mm
 >=10.0mm ± 0.3mm

ANGLE TOL
 ± 2°

NO.	PART NAME	MATERIAL	QTY.	FINISHING
6	SPRING	STEEL WIRE	1	NATURE
5	TERMINAL B	PBS STRIP t=0.2	1	Ag PLATED
4	TERMINAL A/C	BRASS STRIP t=0.3	2	Ag PLATED
3	SLEEVE	COPPER METAL ALLOY	1	Ni PLATED
2	COVER	PC	1	CLEAR
1	CASE	POM	1	BLACK
NO.	PART NAME	MATERIAL	QTY.	FINISHING