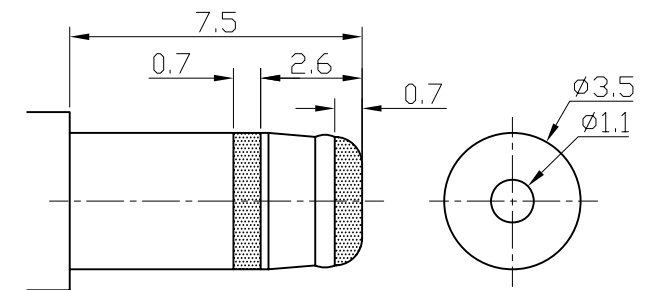
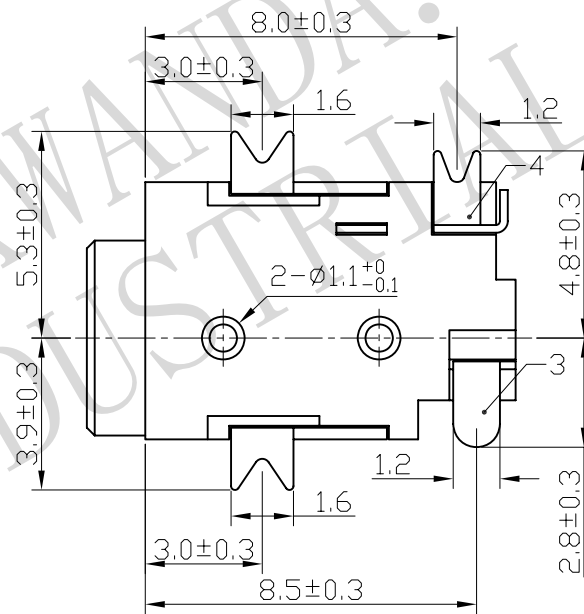
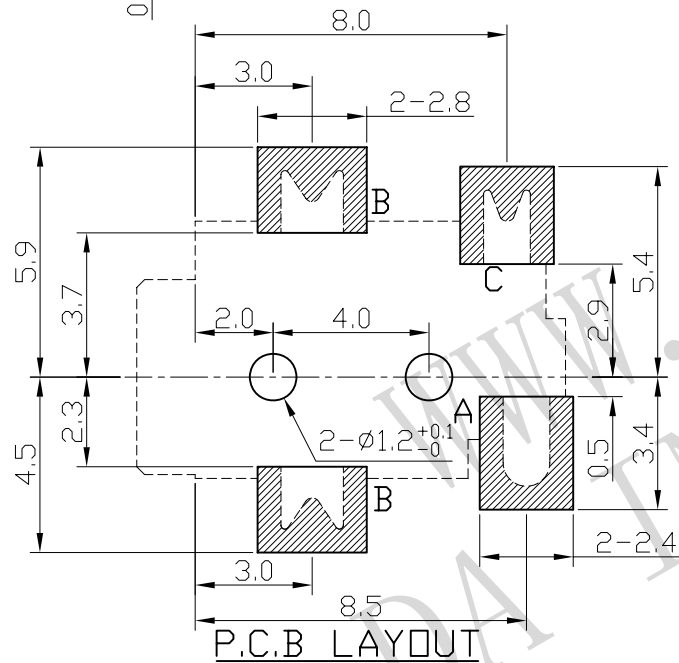


SCHEMATIC



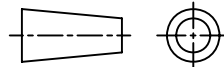
MATE PLUG

**KD**

**KWAN DA INDUSTRIAL CO., LTD.**

TITLE : DC POWER JACK

MODEL : DS-239-1.0 (W115)



TOLERANCE

ANGLE TOL

± 0.2mm

± 2°

UNIT : MM	DWN.	DATE
SCALE : 4 : 1	CHK'D	DATE
VERSION 01	APPD.	DATE

NO.	PART NAME	MATERIAL	QTY.	FINISHING
4	TERMINAL C	COPPER STRIP t=0.2mm	1	Ag PLATED
3	TERMINAL A	BRASS t=0.2mm	1	Ag PLATED
2	TERMINAL B	COPPER STRIP t=0.3mm	1	Ag PLATED
1	CASE	NYLON	1	BLACK