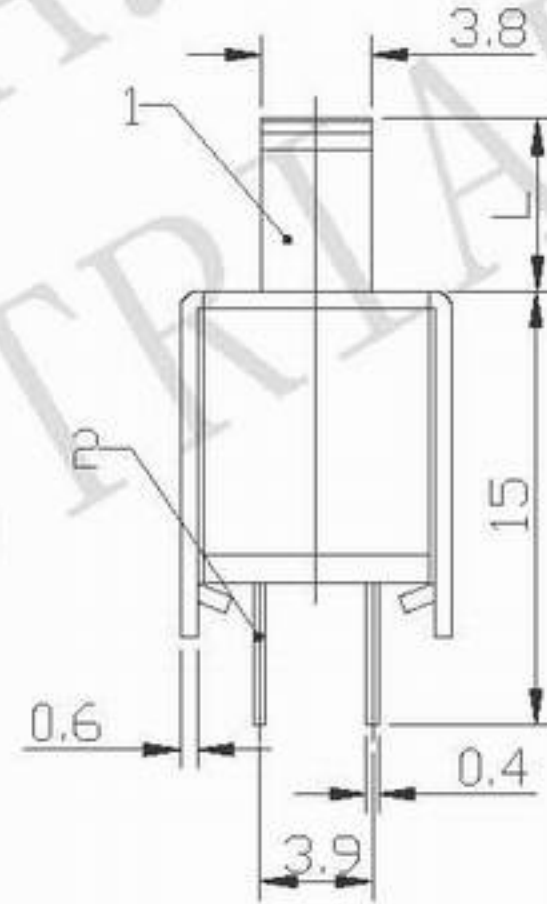
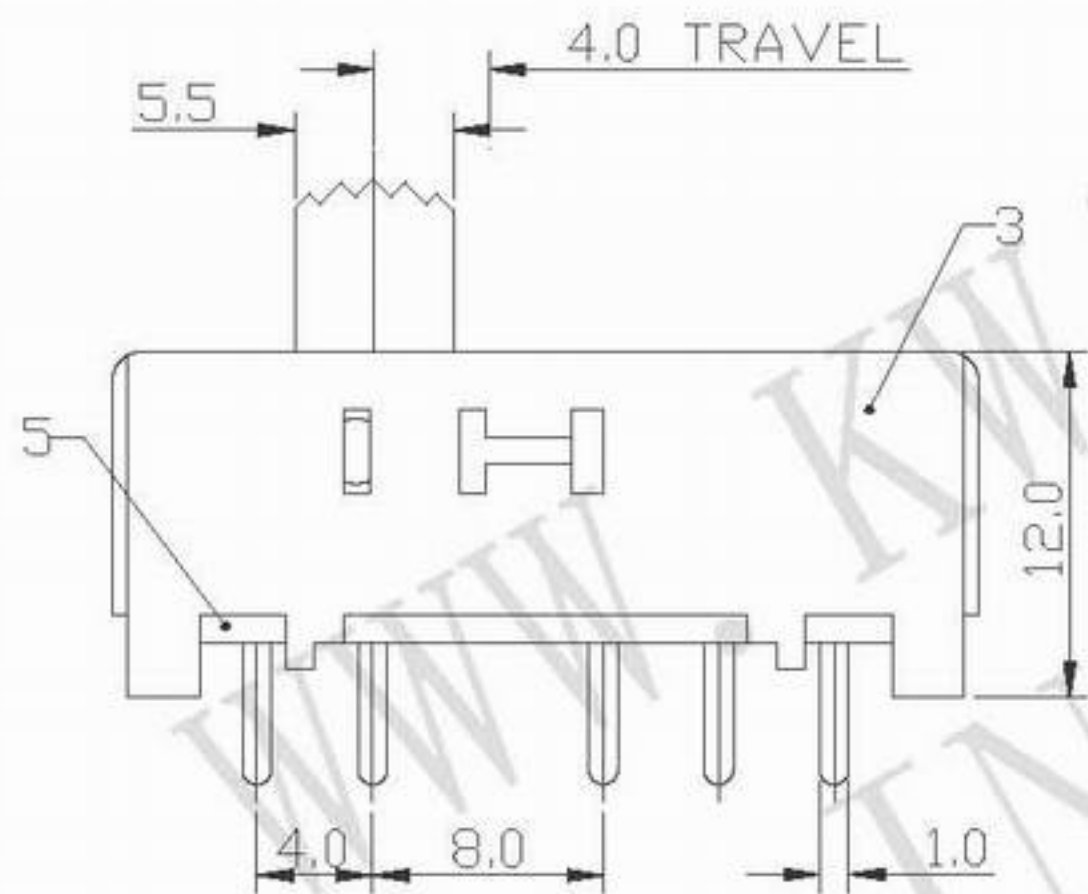


SCHEMATIC



L: 2-15

OPTIONAL KNOB TYPE

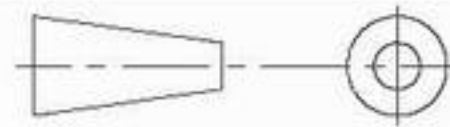
GDI		
GFL		
GRE		
MXA		
NYC		

KD

KWAN DA INDUSTRIAL CO., LTD.

TITLE : VERTICAL SLIDE SWITCH

MODEL : SS24H03



TOLERANCE

<= 5mm ±0.1
> 5mm ±0.2

ANGLE TOL

±2°

UNIT : MM	DWN.	DATE
SCALE : 2 : 1	CHK'D	DATE
VERSION 01	APPD.	DATE

NO.	PART NAME	MATERIAL	QTY	FINISHING
7	SPRING	STEL WIRE	1	NATURE
6	STEEL BALL	STAINLESS STEEL	1	NI PLATED
5	BOARD	PHENOLIC RESIN	1	NATURE
4	CONTACT CLIP	PBS STRIP	2	NATURE
3	FRAME	IRON STRIP	1	NI PLATED
2	TERMINAL	BRASS STRIP	10	Ag PLATED
1	KNOB	POM	1	BLACK