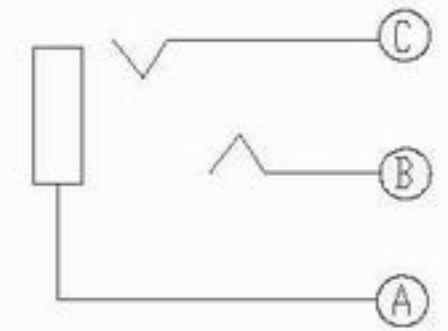
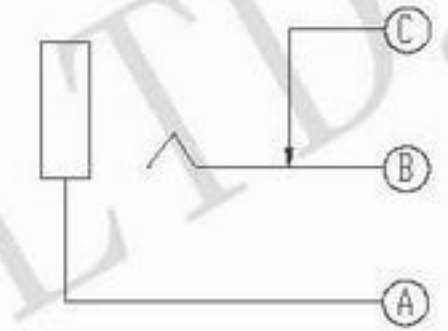


PC BOARD HOLE LAYOUT



ST-018A SCHEMATIC



ST-018B SCHEMATIC

**KD**

**KWAN DA INDUSTRIAL CO., LTD.**

TITLE : PHONE JACK

MODEL : ST-018A  ST-018B  (W148)



TOLERANCE

≤5.0mm ± 0.1  
>5.0mm ± 0.2

ANGLE TOL

± 2

UNIT : MM

SCALE : 3 : 1

VERSION : 01

CHK'D

APPD.

DATE

DATE

DATE

NO.	PART NAME	MATERIAL	QTY.	FINISHING
4	SPRING TERMINAL C	BRASS STRIP	1	Ag PLATED
3	SPRING TERMINAL B	PBS STRIP	1	Ag PLATED
2	SPRING TERMINAL A	BRASS STRIP	1	Ag PLATED
1	HOUSING	PC	1	BLACK